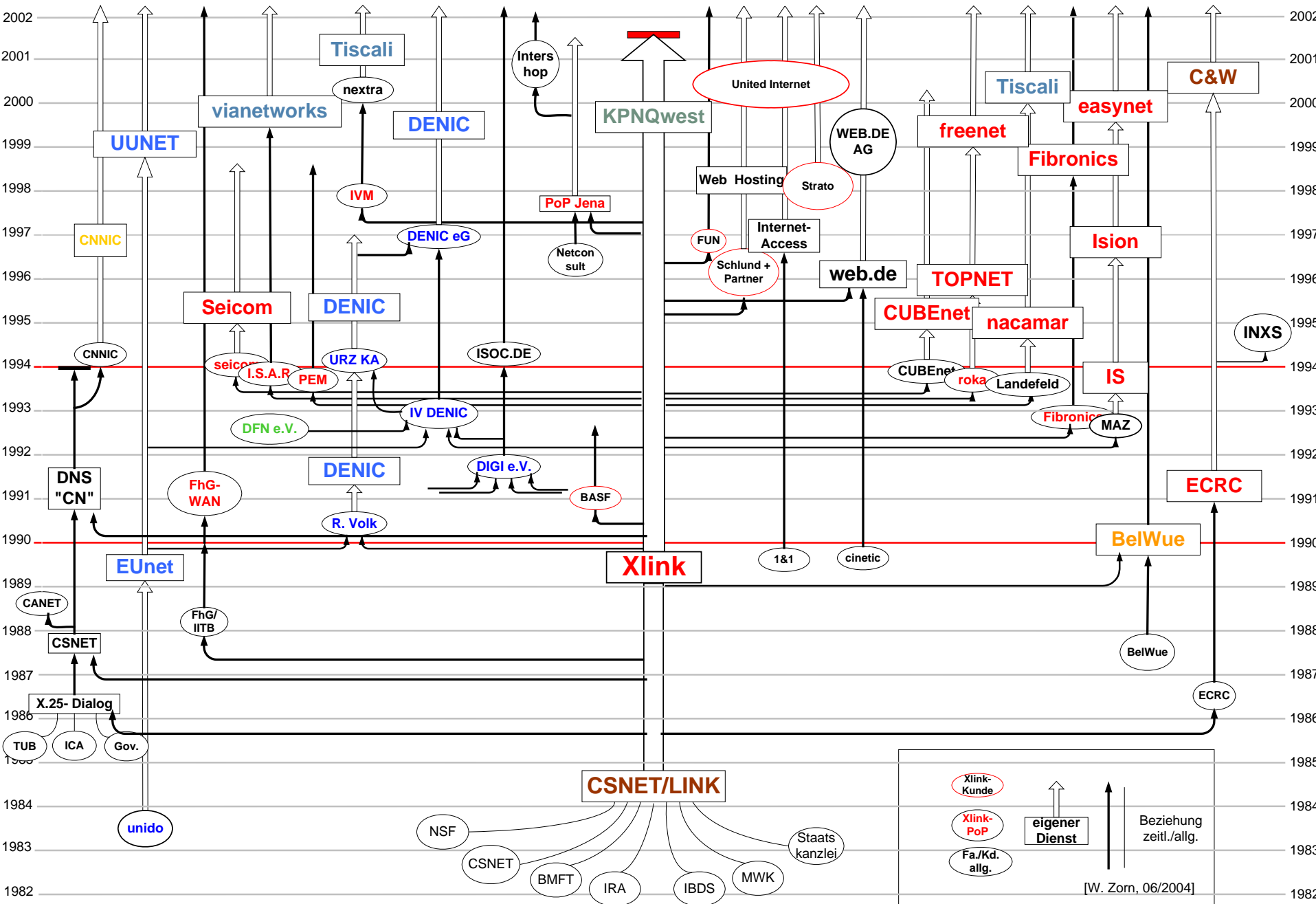




**Connecting China
to the
International Computer Networks**

**„Germany and China – an Innovative Partnership in IT“
Hasso- Plattner Institute, Potsdam
September 19, 2007**

Xlink- Stammbaum





WARMLY WELCOME

*The West German friends of
WASCO Symposium to our
Computer Center.*



T.U.P
1983.9.12

西德 WASCO 协会计算机字术父派



toru, University of Karlsruhe, W-Germany
Peking, 7. 9. 83
Shanghai, 15. 9. 83

DFN = Deutsches Forschungs- netz

National Computer - Network for the
Research - Area

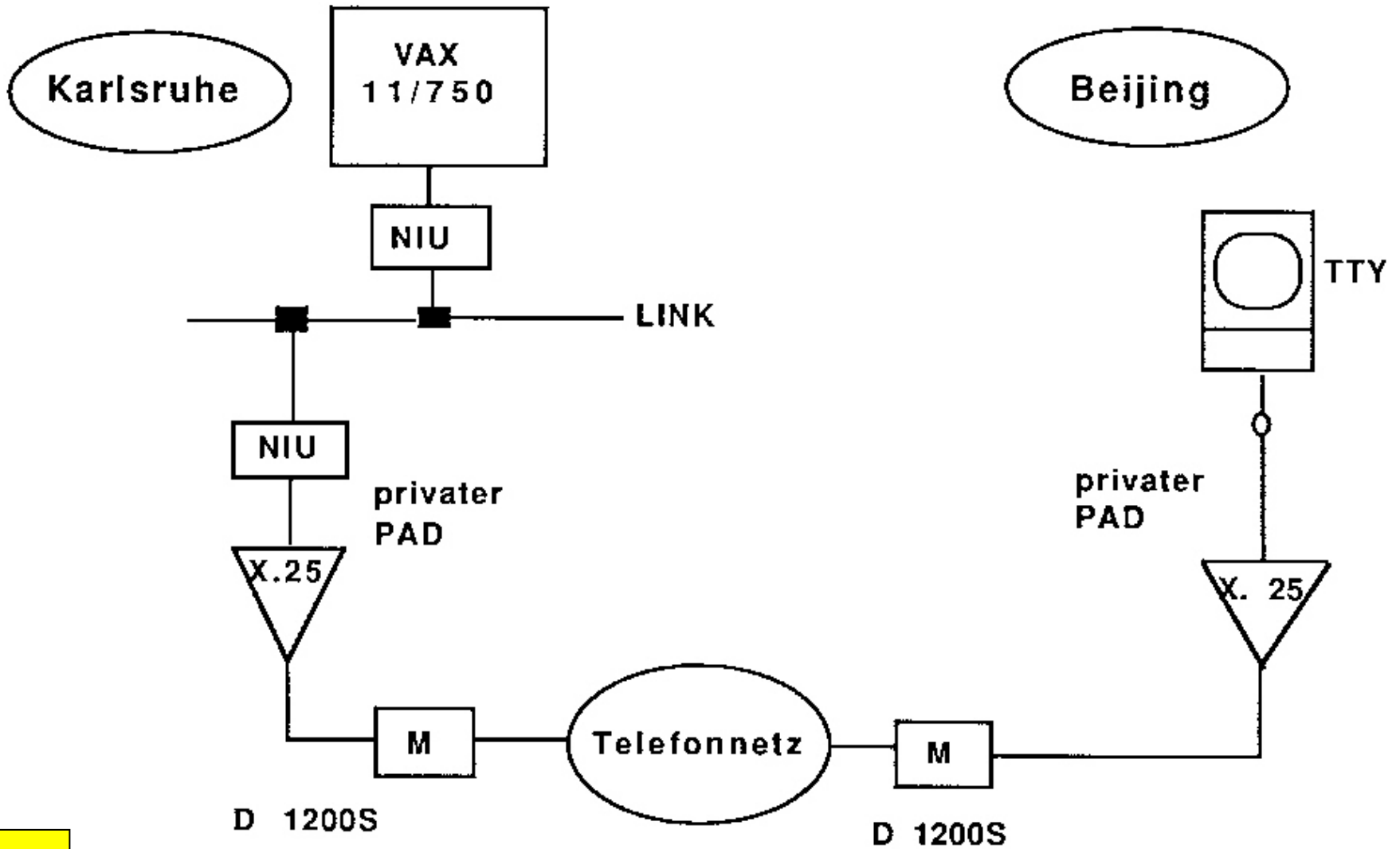
Expected profit:

- more cooperation
- higher productivity
- better use of resources
- faster Know How - Transfer
- better competitiveness
- strong impetus for
DC - research



1985

Failed Tests of how to Connect ICA with IRA (16.- 19.05. 1986)



Breakthrough- X.25 Connection from Beijing to Italy (27.05.1986)

SIST – 10 MULTIPAD
PKTELCOMB BEIJING, CHINA

* 3

* C 2222620021 ditchi0005es
com 2222620021/

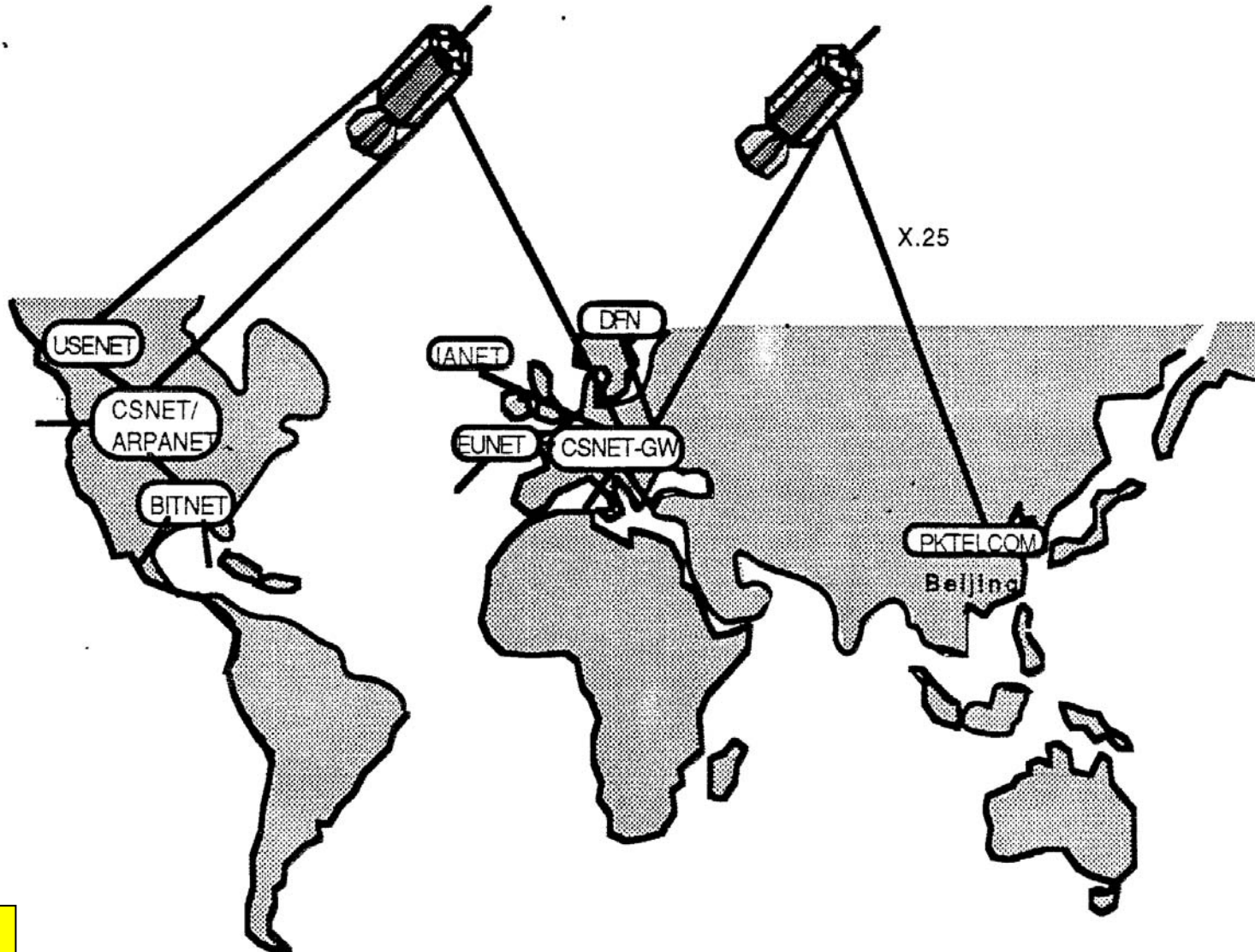
network: password:
0000000000000000

Please enter your ESA-QUEST password
rbc @@@@

if you having difficulty logging on
Please contact IRS or your national centre

clr
*

Concept of Network connection between ICA and CSnet





1987

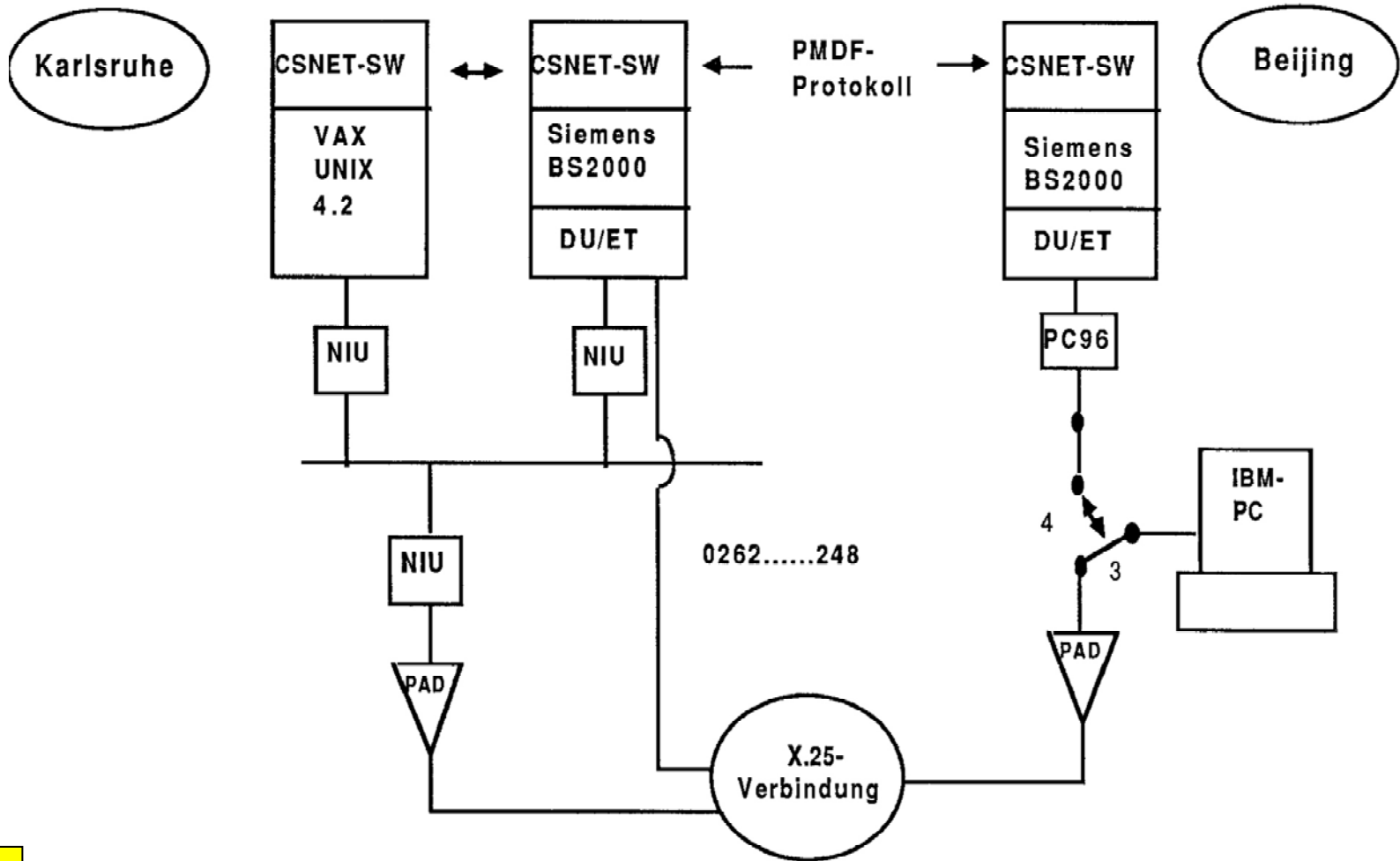
3rd CASCO Conference in Beijing (06.- 14.09.1987) ¹¹



1987

3rd CASCO Conference in Beijing (04.- 14.09.1987)¹²

E-Mail connection between ICA and CSnet





Received: from unikal by irau11.germany.csnet id aa21216; 20 Sep 87 17:36 MET
Received: from Peking by unikal; Sun, 20 Sep 87 16:55 (MET dst)
Date: Mon, 14 Sep 87 21:07 China Time
From: Mail Administration for China <MAIL@zel>
To: Zorn@germany, Rotert@germany, Wacker@germany, Finken@unikal
CC: lhl@parmesan.wisc.edu, farber@udel.edu,
jennings%irlean.bitnet@germany, cic%relay.cs.net@germany, Wang@zel,
RZLI@zel
Subject: First Electronic Mail from China to Germany
Status: RO
Content-Length: 1023
Lines: 17

"Ueber die Grosse Mauer erreichen wie alle Ecken der Welt"

"Across the Great Wall we can reach every corner in the world"

Dies ist die erste ELECTRONIC MAIL, die von China aus ueber Rechnerkopplung
in die internationalen Wissenschaftsnetze geschickt wird.

This is the first ELECTRONIC MAIL supposed to be sent from China into the
international scientific networks via computer interconnection between
Beijing and Karlsruhe, West Germany (using CSNET/PMDF BS2000 Version).

University of Karlsruhe
-Informatik Rechnerabteilung-
(IRA)

Institute for Computer Application of
State Commission of Machine Industry
(ICA)

Prof. Werner Zorn
Michael Finken
Stefan Paulisch
Michael Rotert
Gerhard Wacker
Hans Lackner

Prof. Wang Yuen Fung
Dr. Li Cheng Chiung
Qiu Lei Nan
Ruan Ren Cheng
Wei Bao Xian
Zhu Jiang
Zhao Li Hua



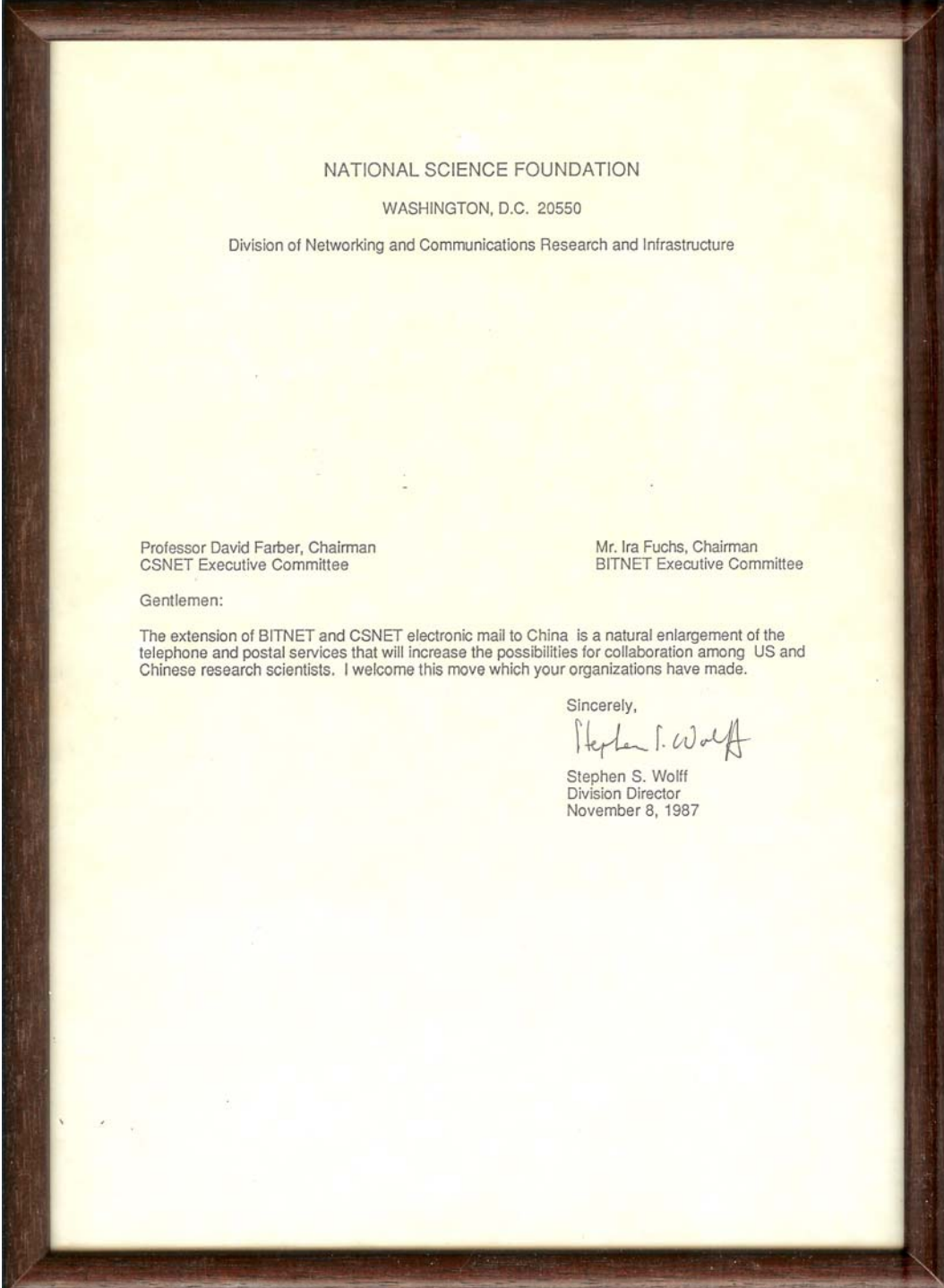
„Across the Great Wall we can reach every corner in the world“

Giving support for the NSF approval of the China Connection



1st row: Profs. Richard Mandelbaum, Larry Landweber, Dave Farber
[Photo taken at INET'92 in Kobe/Japan]

The official
NSF approval,
handed over to
the Chinese
delegation at
IANW'87 in
Princeton
(09.-11.11.1987)



Stephen S. Wolff

CANET foundation on 28.03.1988



机械电子工业部唐仲文副部长在“计算机国际联网讨论会”上致词

Opening speech of deputy minister Tang Zhongwen

International Computer Network
Symposium Program Agenda
Beijing, 28.- 30.03.1988

March 28

- 9:00 –10:30 The symposium will be open. It is presided over by [Dr. Li Chengchun](#).
1. Welcoming speech will be given by deputy minister [Tang Zhongwen](#) .
 2. A leading member from the electronic vitalization office of the state council will deliver a address .
 3. A speech will be given by director [Yang Chuquan](#) .
 4. Prof. Wang Yunfeng will give a speech .
 5. Prof. Zorn will speak on behalf of all the foreign experts .
 6. All the Representatives take a Group Photo .

13:00- 16:30 Director Yang will be the Chairman .

1. A report about the computer network of China and W-Germany given by Dr. C.C.Li .
2. A report about the development of the computer network at home and abroad given by Mr. Li Shao hong .
3. A report about the price analysis of the international computer network given by Mr. Ruan Rencheng .
4. A report will be given by foreign experts .
 - [Dr. Dennis Jennings](#), University College Dublin, Ireland
 - [Daniel Karrenberg](#), EUnet , CWI Amsterdam, The Netherlands

CANET foundation on 28.03.1988

全国政协委员王运丰教授在88年
“计算机国际联网讨论会”上发言



Opening speech of Prof. Wang YunFeng

CANET foundation on 28.03.1988



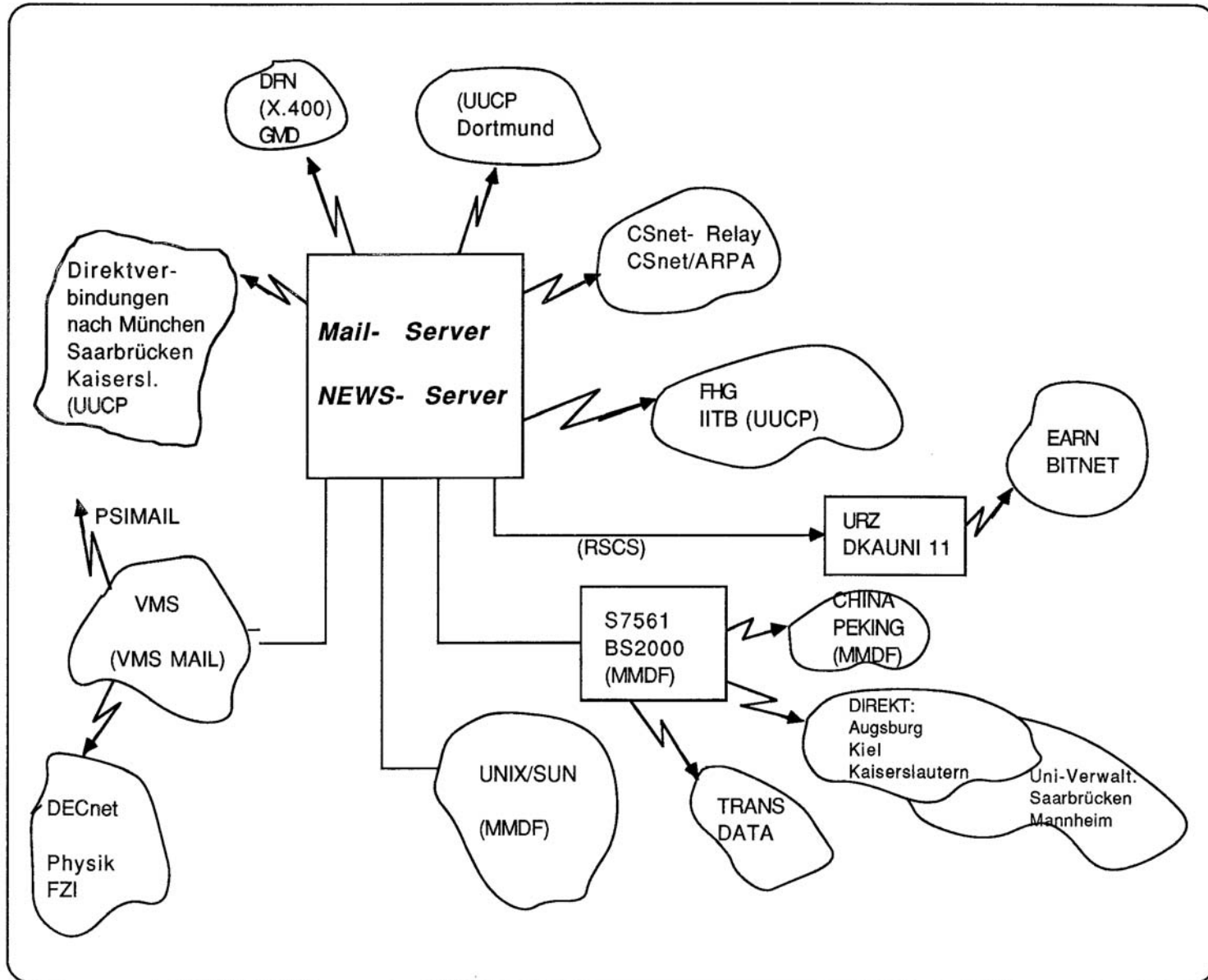
88年“计算机国际联网讨论会”全体中外代表合影。

1st row (left to right): Mrs. Lin, Dr.C.C.Li, N.N. Daniel Karrenberg, Prof. YunFeng Wang, Dr. Dennis Jennings, Minister Tang, Prof. Zorn a.o.





Mailkonfiguration Informatik





1988

„Larry‘ s Networkshop“ IANW in Jerusalem²⁶



1988



Prof. Wang YunFeng
(15.03.1911 – 29.04.1997)
„The Father of CANET
- the first Open Computer Network of China“
[Photo taken at 1st CASCO Conference in Beijing 09/1983]

(a detailed report on the project can be found at
http://www-fgks.hpi.uni-potsdam.de/src/pubzorn/How_China/ChinaConnection.pdf)

Why Canada inserted the marple leaf



Because China was earlier!



Appendix: CN Registration 1990

Date: Mon, 26 Nov 90 16:27:35 MET
From: "Prof. Dr. W. Zorn" <zorn@ira.uka.de>
To: hostmaster@nic.ddn.mil
cc: xlink@ira.uka.de
Subject: Top level domain CN

Douglas,

here is the information about toplevel domain CN. If you have further questions, please mail to xlink@ira.uka.de. The domain will be operational as soon as we get a registration.

Thanks for your cooperation,

Werner Zorn

- (1) The name of the top-level domain to join
(EDU, COM, MIL, GOV, NET, ORG).
1. Top-level domain: ROOT
(This is an application for a top-level domain)
- (2) The name of the domain
2. Complete Domain Name: CN (ISO code for China)
- (3) The name and address of the organization establishing the domain.
3a. Organization name:
CANET Chinese academic net
- 3b. Organization address:
c/o ICA P.O. Box 2418-26
Che-Dao-Gou Street 10,100081
Beijing, P.R. China
- (4) The date you expect the domain to be fully operational
4. Date operational:
immediately
- (5) Administrative Contact
- 5a. NIC Handle:
- 5b. Name (Last, First) : Qian, Tian Bai
- 5c. Organization: ICA
- 5d. Mail Address: Institute of Computer Application
P.O. Box 2418-26
Che-Dao-Gou Street 10,100081
Beijing, P.R. China
- 5e. Phone Number: +86 1 841 3654
- 5f. Net Mailbox: qian.ica.beijing.CN

(6) Technical and Zone Contact

6a. NIC Handle: MR78 [Remark: MR- Michael Rotert]

6b. Name (Last, First):

6c. Organization:

6d. Mail Address: University of Karlsruhe
Computer Science Dept.
Am Fasanengarten 5
D-7500 Karlsruhe
FEDERAL REPUBLIC OF GERMANY

6e. Phone Number:

6f. Net Mailbox:

(7)

7a. Primary Server Hostname: iraun1.ira.uka.de

7b. Primary Server Netaddress: 129.13.10.90

7c. Primary Server Hardware: VAX 3500

7d. Primary Server Software: ULTRIX

(8) The Secondary server information

8a. Secondary Server Hostname: mcsun.eu.net

8b. Secondary Server Netaddress: 192.16.202.1

8c. Secondary Server Hardware: SUN-4/280

8d. Secondary Server Software: UNIX

8a. Secondary Server Hostname: uunet.uu.net

8b. Secondary Server Netaddress: 192.48.96.2

8c. Secondary Server Hardware: SEQUENT-S81

8d. Secondary Server Software: UNIX

(10) Please describe your organization briefly.

CANET is the Chinese state research and development network, begun in 1988. It currently includes approximately 35 institutions. The gateway is through XLINK at the University of Karlsruhe in Germany. CANET uses dial-up nodes as well as X.25 in the major cities of China. Currently, 1200 bps is the typical transmission speed. CANET plans to move completely to X.25 and PAD connections. They expect to install Telebit Trailblazer modems for the dial-up lines.



Qian TianBai
1945 - 1998