



# 2003 EIWA - Cornell

125

( 1 ) <b>Travis Lee</b>	CORNELL	So	<b>Travis Lee</b>		
<b>Jon Anderson</b>	ARMY	Fr 1	<b>DE 0:04</b>	58	Lee
<b>Will Filbert</b>	F&M	Sr	<b>Mark Koszyk</b>		Fr 1:36
( 8 ) <b>Mark Koszyk</b>	ESU	Fr 2	<b>T16-0;4:37</b>		137 Lee
( 5 ) <b>Terrance Clendenin</b>	LEHIGH	So	<b>Terrance Clendenin</b>		3-1
<b>Shaun Sehar</b>	RUTGERS	Fr 3	<b>F4:10</b>	59	Clendenin
			( 4 ) <b>David Germakian</b>	Sr	DE 1:08 <b>Travis Lee</b>
			<b>HARVARD</b>		217
			( 3 ) <b>Daniel Green</b>	Jr	3-1
			<b>COLUMBIA</b>	60	Green
<b>Matt Pelligrino</b>	AMERICAN	Jr	<b>Sam Gray</b>		2-1
( 6 ) <b>Sam Gray</b>	NAVY	So 4	<b>F5:47</b>		138 <b>Valenti</b>
( 7 ) <b>Lucas Magnani</b>	BROWN	Fr	<b>Lucas Magnani</b>		12-3
<b>Seth Dunipace</b>	PRINCETON	Sr 5	<b>6-4</b>	61	Valenti
			( 2 ) <b>Matt Valenti</b>	Fr	5:34
			<b>PENN</b>		

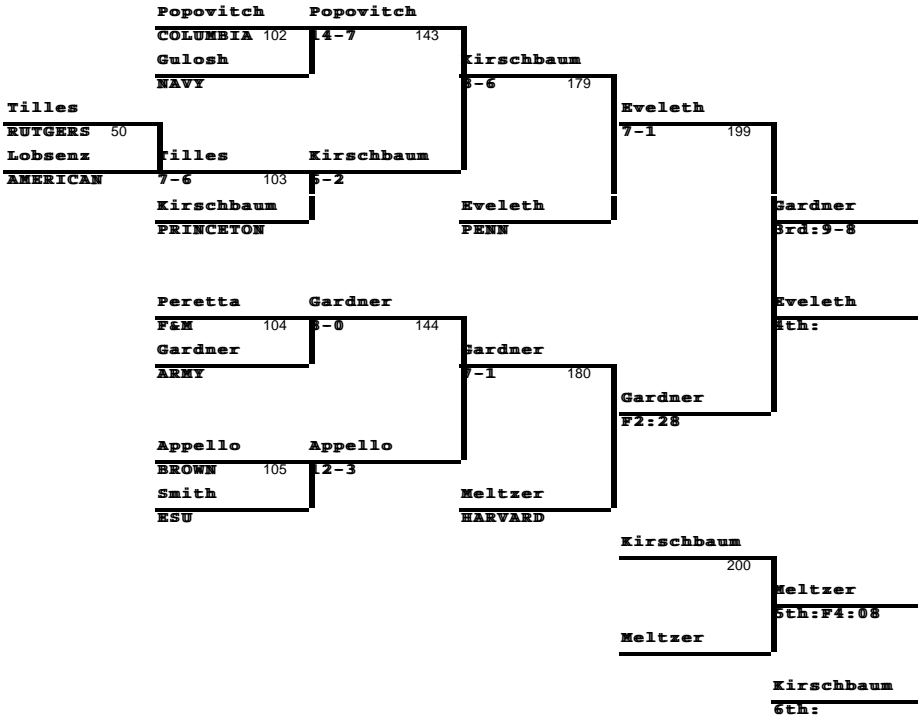
<b>Anderson</b>	<b>Valenti</b>
<b>ARMY</b> 49	<b>2nd:</b>
<b>Filbert</b>	<b>Magnani</b>
<b>F&amp;M</b>	<b>MED FORF</b> 98 <b>F1:39</b> 139
	<b>Magnani</b>
	<b>BROWN</b>
	<b>3-2</b> 177
	<b>Clendenin</b>
	<b>F2:33</b> 197
<b>Sehar</b>	<b>Gray</b>
<b>RUTGERS</b> 99	<b>6</b>
<b>Gray</b>	<b>Clendenin</b>
<b>NAVY</b>	<b>LEHIGH</b>
	<b>3rd:5-0</b>
<b>Pelligrino</b>	<b>Pelligrino</b>
<b>AMERICAN</b> 100	<b>MED FORF</b> 140
<b>Germakian</b>	<b>Dunipace</b>
<b>HARVARD</b>	<b>0-0</b> 178
	<b>Green</b>
	<b>T17-2;6:10</b>
<b>Dunipace</b>	<b>Dunipace</b>
<b>PRINCETON</b> 101	<b>4;TB</b>
<b>Koszyk</b>	<b>Green</b>
<b>ESU</b>	<b>COLUMBIA</b>
	<b>Magnani</b>
	<b>198</b>
	<b>Magnani</b>
	<b>5th:3-1</b>
	<b>Dunipace</b>
	<b>Dunipace</b>
	<b>6th:</b>

# 2003 EIWA - Cornell

133

( 1 ) <b>Cory Cooperman</b>	LEHIGH	Fr		<b>Cory Cooperman</b>		
Steve Popovitch	COLUMBIA	Sr	6	<b>T17-2;7:00</b>	62	Cooperman
				( 8 ) <b>Jeff Smith</b>	Fr	3-4
				<b>ESU</b>		141
						<b>Cooperman</b>
( 5 ) <b>Andrew Tilles</b>	RUTGERS	So		Bernard Gardner		<b>3-1</b>
Bernard Gardner	ARMY	Jr	7	<b>3-2</b>	63	Eveleth
<b>Dan Lobsenz</b>	AMERICAN	Fr		<b>Matt Eveleth</b>		5-4
( 4 ) <b>Matt Eveleth</b>	PENN	Fr	8	<b>T16-1;3:40</b>		Cory Cooperman
						218
				( 3 ) <b>Alejandro Alvarez</b>	Jr	18-4
				<b>CORNELL</b>	64	Alvarez
<b>Joseph Peretta</b>	F&M	Fr		Brian Kirschbaum		3-5
( 6 ) <b>Brian Kirschbaum</b>	PRINCETON	Jr	9	<b>F3:59</b>		142
						Alvarez
				( 7 ) <b>Matt Gulosh</b>	Fr	13-8
				<b>NAVY</b>	65	Meltzer
<b>Dan Appello</b>	BROWN	Fr		<b>Max Meltzer</b>		10-5
( 2 ) <b>Max Meltzer</b>	HARVARD	Fr	10	<b>6-0</b>		

**Alvarez**  
**2nd:**

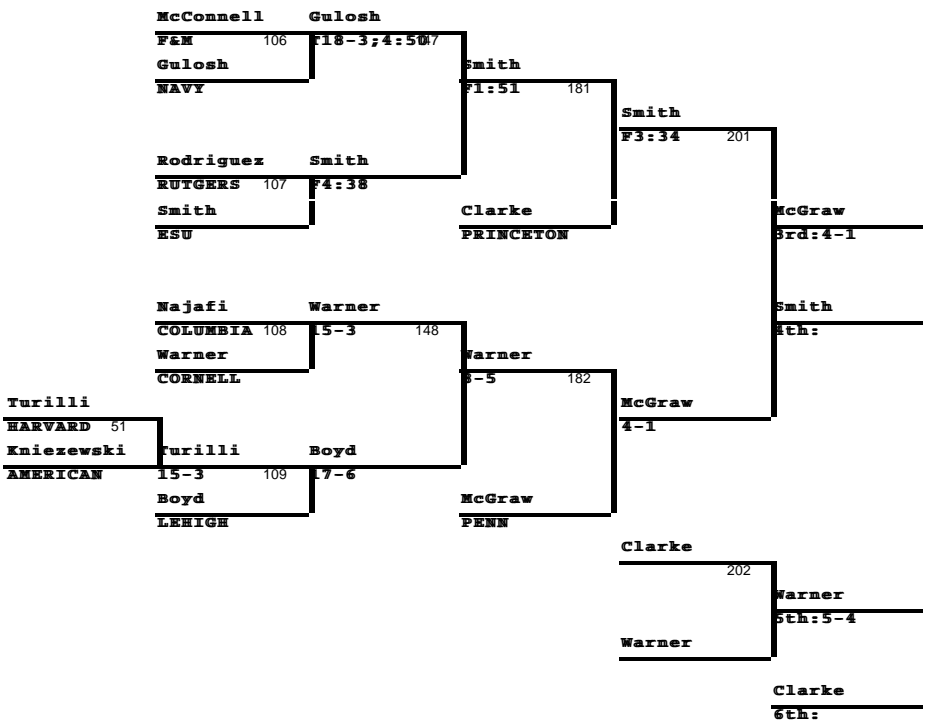


# 2003 EIWA - Cornell

141

( 1 ) Phillip Simpson	ARMY	So	Phillip Simpson		
<b>Matt McConnell</b>	F&M	Jr 11	F1:30	66	Simpson
			( 8 ) <b>Tristan Boyd</b>	Sr	F17-0;4:30
			LEHIGH	145	Simpson
			( 5 ) <b>Byron Warner</b>	Sr	15-5
			CORNELL	67	Clarke
<b>Jon Rodriguez</b>	RUTGERS	Jr	<b>Joe Clarke</b>		11-7
( 4 ) <b>Joe Clarke</b>	PRINCETON	Jr 12	10-7		Phillip Simpson 219
( 3 ) <b>Doug McGraw</b>	PENN	Jr	<b>Doug McGraw</b>		14-5
<b>Arash Najafi</b>	COLUMBIA	So 13	8-0	68	McGraw
			( 6 ) <b>Mark Smith</b>	Fr	8-0
			ESU	146	Frease
( 7 ) <b>Nate Gulosh</b>	NAVY	So	<b>Nate Gulosh</b>		7-5;SV
<b>Joe Turilli</b>	HARVARD	So 14	14-3	69	Frease
			<b>Tom Kniezewski</b>	AMERICAN	Fr
			<b>Clint Frease</b>	BROWN	Sr 15
( 2 ) <b>Clint Frease</b>	BROWN	Sr 15	16-4		9-3

Frease  
2nd:

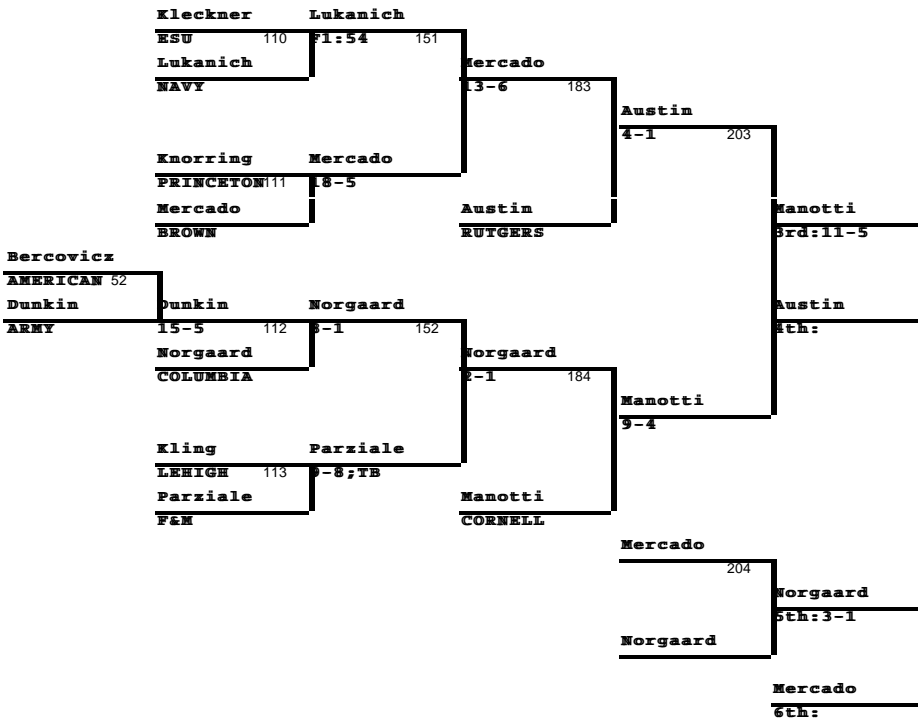


# 2003 EIWA - Cornell

149

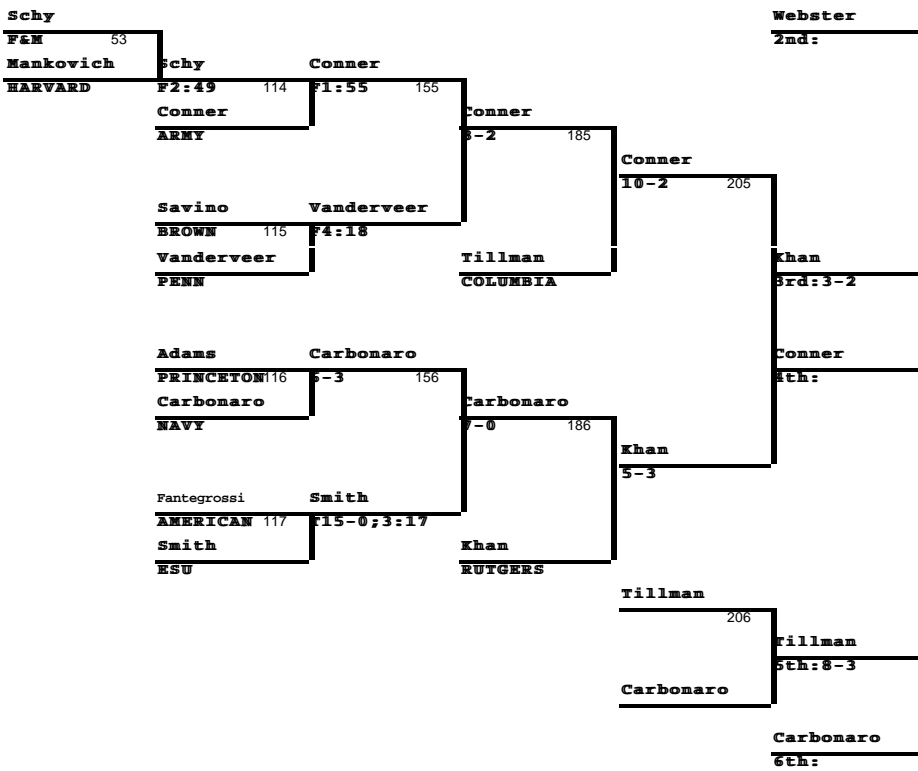
( 1 )	<b>Jesse Jantzen</b>	HARVARD	Jr		<b>Jesse Jantzen</b>			
	<b>Keith Kleckner</b>	ESU	Jr	16	<b>F2:11</b>	70	<b>Jantzen</b>	
					( 8 ) <b>Michael Parziale</b>	Fr	<b>F1:39</b>	149
					<b>F&amp;M</b>			<b>Jantzen</b>
( 5 )	<b>Greg Austin</b>	RUTGERS	Jr		<b>Greg Austin</b>			<b>15-0;5:30</b>
	<b>John Knorring</b>	PRINCETON	Sr	17	<b>13-0</b>	71	<b>Austin</b>	
					( 4 ) <b>Erik Norgaard</b>	Jr	<b>9-4</b>	Jesse Jantzen 220
					<b>COLUMBIA</b>			
( 3 )	<b>Jody Giuricich</b>	PENN	Sr		<b>Jody Giuricich</b>			11-0
	<b>Aviv Bercovicz</b>	AMERICAN	Jr	18	<b>F0:47</b>	72	<b>Giuricich</b>	
	<b>Anthony Dunkin</b>	ARMY	Fr		<b>Jason Mercado</b>		<b>4-3</b>	
( 6 )	<b>Jason Mercado</b>	BROWN	Sr	19	<b>13-3</b>		150	<b>Giuricich</b>
					( 7 ) <b>Pat Lukanich</b>	So		
					<b>NAVY</b>	73	<b>Manotti</b>	7-6
	<b>Aaron Kling</b>	LEHIGH	So		<b>Dustin Manotti</b>		<b>12-5</b>	
( 2 )	<b>Dustin Manotti</b>	CORNELL	Fr	20	<b>T22-7;5:10</b>			

**Giuricich**  
**2nd:**



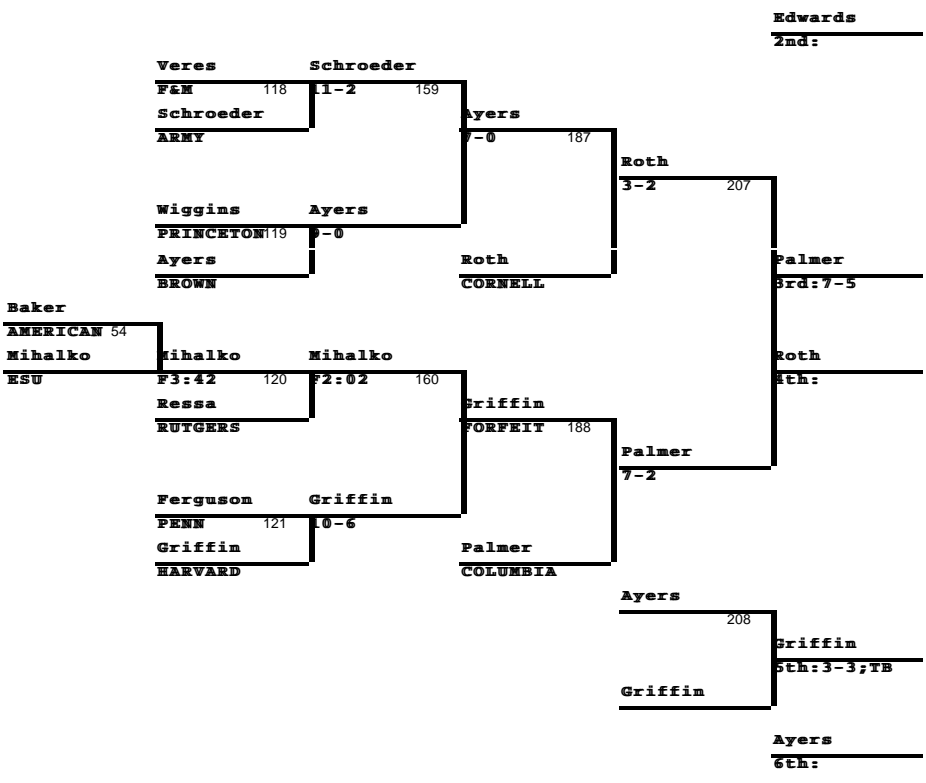
# 2003 EIWA - Cornell

( 1 ) <b>Derek Zinck</b>	LEHIGH	Fr		<b>Derek Zinck</b>		
<b>Nate Schy</b>	F&M	Jr	21	<b>T21-5;5:53</b>	74	<b>Zinck</b>
<b>Keith Smith</b>	ESU	Fr		<b>Keith Smith</b>		<b>F3:30</b>
( 8 ) <b>Jon Mankovich</b>	HARVARD	So	22	<b>F6:50</b>		153 <b>Zinck</b>
( 5 ) <b>Dustin Tillman</b>	COLUMBIA	So	75	<b>Dustin Tillman</b>		5-3
<b>Michael Savino</b>	BROWN	So		<b>Michael Carbonaro</b>		7-2 <b>Derek Zinck</b>
( 4 ) <b>Michael Carbonaro</b>	NAVY	Jr	23	<b>F1:47</b>		221
( 3 ) <b>Gabe Webster</b>	CORNELL	Sr		<b>Gabe Webster</b>		2-1
<b>Milo Adams</b>	PRINCETON	Jr	24	<b>4-2</b>	76	<b>Webster</b>
( 6 ) <b>Brett Vanderveer</b>	PENN	Sr		<b>5-2</b>		154 <b>Webster</b>
( 7 ) <b>Amir Khan</b>	RUTGERS	Jr		<b>Amir Khan</b>		4-2;TB
<b>Eric Fantegrossi</b>	AMERICAN	So	25	<b>14-5</b>	77	<b>Khan</b>
( 2 ) <b>Jeremy Conner</b>	ARMY	Sr		<b>9-4</b>		



# 2003 EIWA - Cornell

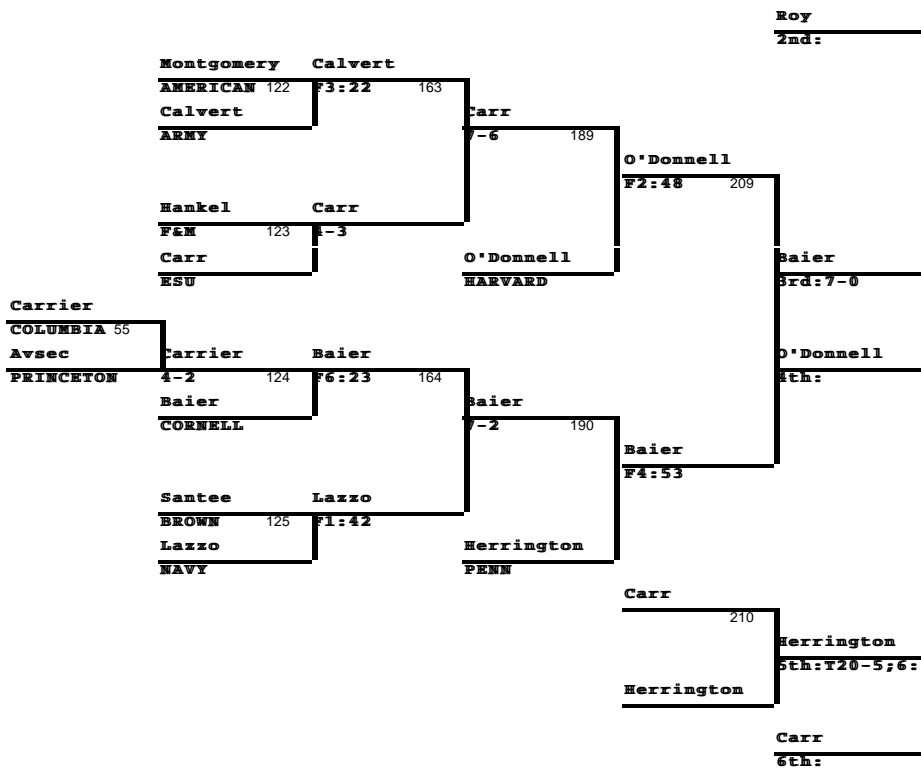
( 1 )	<b>Troy Letters</b>	LEHIGH	Fr		<b>Troy Letters</b>			
	<b>Matt Veres</b>	F&M	Fr	26	<b>F0:44</b>	78	<b>Letters</b>	
					( 8 ) <b>Robbie Griffin</b>	Sr	13-1	157 <b>Letters</b>
					<b>HARVARD</b>			
					( 5 ) <b>Chris Ressa</b>	So		17-2;5:21 <b>Letters</b>
					<b>RUTGERS</b>	79	<b>Roth</b>	
	Charlie Wiggins	PRINCETON	So		<b>Scott Roth</b>		7-5;SV	Troy Letters
( 4 )	<b>Scott Roth</b>	CORNELL	Jr	27	<b>T21-6;7:00</b>			222
( 3 )	<b>Frank Edwards</b>	NAVY	Jr		<b>Frank Edwards</b>			F2:54
	<b>Aaron Baker</b>	AMERICAN	Jr	28	<b>F1:38</b>	80	<b>Edwards</b>	
	<b>Chris Ayers</b>	BROWN	Sr		<b>Chris Ayers</b>		11-0	
( 6 )	<b>Brandon Mihalko</b>	ESU	Jr	29	<b>F5:27</b>			158 <b>Edwards</b>
					( 7 ) <b>Ron Schroeder</b>	Jr		12-4
					<b>ARMY</b>	81	<b>Palmer</b>	
	Richard Ferguson	PENN	So		<b>Matt Palmer</b>		F5:51	
( 2 )	<b>Matt Palmer</b>	COLUMBIA	Fr	30	<b>T17-0;2:00</b>			



# 2003 EIWA - Cornell

174

				( 1 ) <b>Brad Dillon</b>	Jr				
				<b>LEHIGH</b>	82		<b>Dillon</b>		
Adam Montgomery	AMERICAN	So		<b>Luke Lazzo</b>			<b>14-8</b>		
( 8 ) <b>Luke Lazzo</b>	NAVY	Sr	31	<b>T16-0;5:50</b>			161	<b>Dillon</b>	
( 5 ) <b>Pat O'Donnell</b>	HARVARD	Sr		<b>Pat O'Donnell</b>				<b>3-1;SV</b>	
<b>Isaiah Hankel</b>	F&M	Jr	32	<b>17-6</b>	83		<b>O'Donnell</b>		
				( 4 ) <b>Tyler Baier</b>	Jr		<b>4-2</b>	<b>Brad Dillon</b>	
				<b>CORNELL</b>				223	
( 3 ) <b>Andy Roy</b>	RUTGERS	So		<b>Andy Roy</b>				<b>7-3</b>	
<b>Nick Carrier</b>	COLUMBIA	Sr	33	<b>10-1</b>	84		<b>Roy</b>		
<b>Andrew Avsec</b>	PRINCETON	Jr		<b>John Carr</b>			<b>5-5</b>		
( 6 ) <b>John Carr</b>	ESU	Fr	34	<b>13-2</b>			162	<b>Roy</b>	
				( 7 ) <b>Luke Calvert</b>	Fr			<b>5-3;SV</b>	
				<b>ARMY</b>	85		<b>Herrington</b>		
<b>Adam Santee</b>	BROWN	Sr		<b>Matt Herrington</b>			<b>5-2</b>		
( 2 ) <b>Matt Herrington</b>	PENN	Fr	35	<b>12-4</b>					





# 2003 EIWA - Cornell

197

				( 1 ) <b>Jon Treng</b>	Jr				
				<b>LEHIGH</b>		90		<b>Treng</b>	
<b>PJ Jones</b>	HARVARD	Jr		<b>Mike Gerstl</b>			19-5		
( 8 ) <b>Mike Gerstl</b>	COLUMBIA	Jr	41	<b>4-1</b>			169	<b>Treng</b>	
				( 5 ) <b>Jim Letchford</b>	Sr			<b>11-2</b>	
				<b>NAVY</b>		91		<b>Velekei</b>	
<b>Doran Heist</b>	BROWN	Fr		<b>Paul Velekei</b>			8-1	<b>Jon Treng</b>	
( 4 ) <b>Paul Velekei</b>	PENN	So	42	<b>11-2</b>				225	
				( 3 ) <b>Ryan McGrath</b>	Sr			<b>4-1</b>	
<b>Matt Fisher</b>	PRINCETON	Jr	43	<b>7-1</b>		92		<b>McGrath</b>	
				( 6 ) <b>Joe Forsman</b>	So		5-2	170	<b>Greenberg</b>
				<b>ARMY</b>					
				( 7 ) <b>Stanley Foster</b>	Fr			<b>2-1</b>	
				<b>ESU</b>		93		<b>Greenberg</b>	
				( 2 ) <b>Matt Greenberg</b>	Jr		15-5		
				<b>CORNELL</b>					

**Greenberg**  
**2nd:**

<b>Jones</b>	<b>Jones</b>								
HARVARD 130	10-7	171							
<b>Foster</b>			<b>Jones</b>						
ESU			10-4	193					
					<b>Velekei</b>				
<b>Heist</b>	<b>Forsman</b>				7-3	213			
BROWN 131	2-0								
<b>Forsman</b>				<b>Velekei</b>					
ARMY				PENN					
								<b>Velekei</b>	
								3rd:9-4	
<b>Fisher</b>	<b>Fisher</b>							<b>McGrath</b>	
PRINCETON 32	13-7	172						4th:	
<b>Letchford</b>			<b>Gerstl</b>						
NAVY			16-5	194					
					<b>McGrath</b>				
					9-5				
				<b>Gerstl</b>					
				COLUMBIA					
					<b>McGrath</b>				
					RUTGERS				
				<b>Jones</b>					
					214				
				<b>Jones</b>					
				5th:10-2					
				<b>Gerstl</b>					
				<b>Gerstl</b>					
				6th:					

# 2003 EIWA - Cornell

285

( 1 ) <b>Matt Feast</b>	PENN	So		<b>Matt Feast</b>		
<b>Joe Looke</b>	PRINCETON	Jr	44	<b>F3:48</b>	94	<b>Feast</b>
Cornelius George	F&M	Jr		<b>Buck McLamb</b>		<b>DE 0:02</b>
( 8 ) <b>Buck McLamb</b>	CORNELL	Sr	45	<b>8-2</b>	173	<b>Feast</b>
( 5 ) <b>Frank Sabatino</b>	RUTGERS	Sr		<b>Frank Sabatino</b>		<b>F4:22</b>
<b>Mike Pahira</b>	ESU	So	46	<b>9-1</b>	95	<b>Sabatino</b>
				( 4 ) <b>Jared Hyman</b>	Jr	<b>5-2</b>
				<b>AMERICAN</b>		<b>Matt Feast</b>
						226
				( 3 ) <b>Joe Sahl</b>	Jr	<b>4-1</b>
				<b>LEHIGH</b>	96	<b>Sahl</b>
<b>Lee Beane</b>	BROWN	Fr		<b>Jonas Corl</b>		<b>F1:51</b>
( 6 ) <b>Jonas Corl</b>	HARVARD	So	47	<b>5-1</b>	174	<b>Sahl</b>
				( 7 ) <b>Bart Seemen</b>	So	<b>F2:08</b>
				<b>COLUMBIA</b>	97	<b>Paxton</b>
<b>Tanner Garrett</b>	NAVY	Fr		<b>John Paxton</b>		<b>F2:09</b>
( 2 ) <b>John Paxton</b>	ARMY	Sr	48	<b>6-0</b>		

<b>Looke</b>		<b>Sahl</b>
<b>PRINCETON</b>		<b>2nd:</b>
<b>George</b>	<b>Looke</b>	<b>Looke</b>
<b>F&amp;M</b>	<b>2-1</b> 133	<b>F3:59</b> 175
	<b>Seemen</b>	<b>Looke</b>
	<b>COLUMBIA</b>	<b>4-2;SV</b> 195
	<b>Pahira</b>	<b>Looke</b>
	<b>ESU</b> 134	<b>4-1</b> 215
	<b>Corl</b>	<b>F18-2;5:14</b>
	<b>HARVARD</b>	<b>Sabatino</b>
		<b>RUTGERS</b>
		<b>Paxton</b>
		<b>3rd:F3:27</b>
<b>Beane</b>	<b>Beane</b>	<b>Looke</b>
<b>BROWN</b> 135	<b>3-3</b> 176	<b>4th:</b>
<b>Hyman</b>	<b>Beane</b>	
<b>AMERICAN</b>	<b>5-2</b> 196	
	<b>Paxton</b>	
	<b>F1:13</b>	
<b>Garrett</b>	<b>McLamb</b>	
<b>NAVY</b> 136	<b>13-10</b>	
<b>McLamb</b>	<b>Paxton</b>	
<b>CORNELL</b>	<b>ARMY</b>	
	<b>Sabatino</b>	
	216	
	<b>Beane</b>	
	<b>5th:1-1;TB</b>	
	<b>Beane</b>	
	<b>Sabatino</b>	
	<b>6th:</b>	